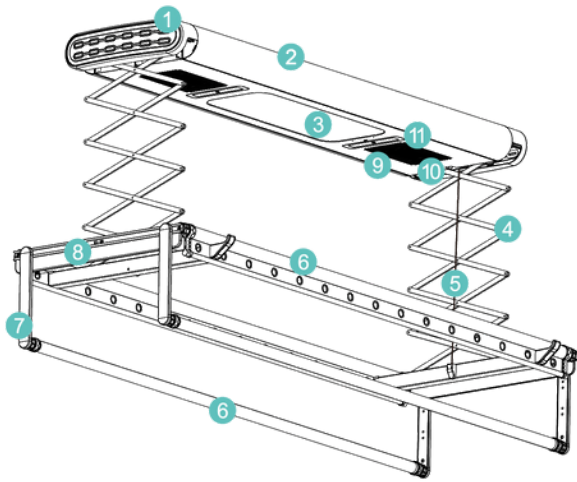


Specifications

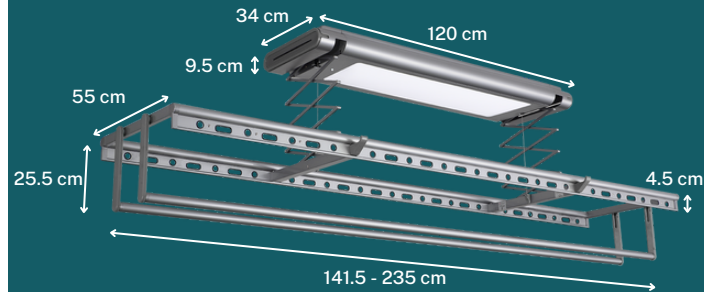


- | | |
|-------------------|-------------------------------|
| 1. Machine cover | 7. Connecting piece |
| 2. Machine | 8. Bracket |
| 3. LED light | 9. Sterilising lamp |
| 4. Telescopic arm | 10. Automated infrared sensor |
| 5. Wire rope | 11. Air drying |
| 6. Drying poles | |

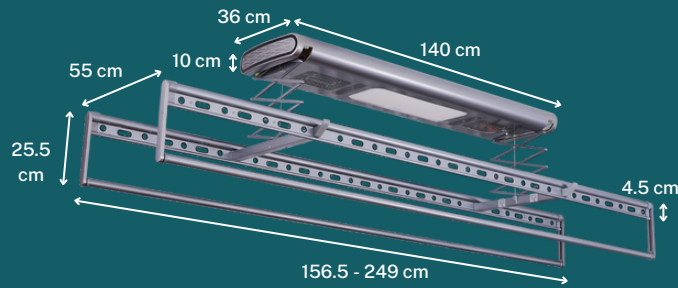
Sol Classic	Sol Pro
Lighting power: 12 - 32 W	
Lifting motor (D.C): 50 W	
Operating voltage: 220V, 50Hz	
-	Drying power: 450W x2
-	Heating temperature: 40 - 50 degrees
-	Air drying power: 15W x 2
-	UV disinfection power: 3 - 8W
Load capacity: 35kg	
Drop distance: 140cm	

Product Dimensions

Sol Classic



Sol Pro



Automated Laundry Rack

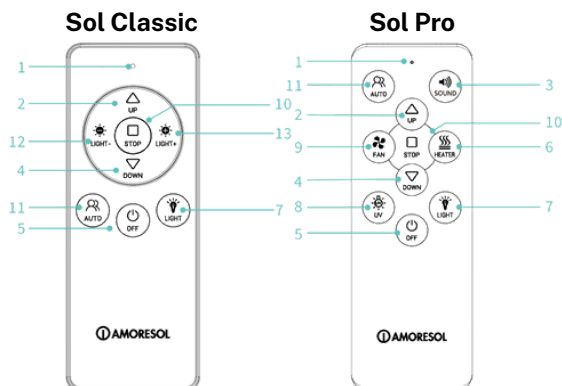
Product manual

The Smart Series Pte Ltd

39 Woodlands Close #08-62 Singapore 737856

📞 8711 6780/ 8824 0463

Remote Control



- 1. Light signal
- 2. Up
- 3. Sound
- 4. Down
- 5. Off
- 6. Solar heat drying
- 7. Light
- 8. UV Steriliser
- 9. Fan
- 10. Stop
- 11. Automated infrared sensor
- 12. Reduce brightness
- 13. Increase brightness

- Your laundry rack remote control has been paired and requires no additional setup. If the remote control indicator light is off, please check if the battery needs replacement by removing the back cover.
- If you are using a new remote control, you will need to complete the pairing process before usage.
 - To do this, turn off the main power supply of your laundry rack for at least 15 seconds, then turn it back on.
 - Within 2 seconds, press and hold both "up" and "stop" (Sol Classic) / "up" and "down" (Sol Pro) / until you hear a beeping sound from the laundry rack. Once you hear the beeping sound, the pairing process is complete, and your new remote control is ready for use.

Voice Control

Applicable For Sol Pro only

Please read the instruction manual for the correct usage of the voice control feature.

It is important to enunciate clearly and speak at a sufficient volume for the laundry rack to recognise your commands accurately.

To ensure optimal performance, please use the voice control feature in a quiet environment, and speak at a normal conversational pace.

Command	Prompt tone	Remarks
Hey Sol	Hello, I'm glad to be of service	/
Turn on light	/	/
Turn off light	/	/
Turn on fan	/	/
Turn off fan	/	/
Turn on solar drying	/	/
Turn off solar drying	/	/
Turn on steriliser	/	/
Turn off steriliser	/	/
Bring me up	/	/
Bring me down	/	/
Stop the rack	/	/
Turn on sound	Voice enabled	/
Turn off sound	Voice disabled	Turn off all sounds
Turn off everything	/	/
Volume up	The volume has increased	This is the max volume
Volume down	The volume has been reduced	This is the min volume
There are no voice commands in 30 seconds	Goodbye	Exit voice control mode

Safety Function

Obstacle detection

- Clear the area around the laundry rack before operating it.
- If the pole encounters an obstacle when ascending, a beep will sound and the rack will come to a halt.
- If the pole encounters an obstacle while lowering, a beep will sound and the rack will stop. The rack will then raise by 10cm.

Overload protection

- Do not exceed 35kg weight limit.
- If the weight exceeds the limit, a beep will sound and the rack will remain stationary.

Auto-off

- Lighting/fan drying/solar heat drying functions will turn off automatically after 2 hours.
- UV sterilising will turn off automatically after 30 minutes. Press the button to start again when required.

When Automatic Infrared Sensor Is Enabled

Auto infrared sensor

- Press the "auto" button to enable or disable the sensor function.

Automatic lighting

- The LED light on the laundry rack will turn on when the sensor detects human movement, and turn off after 1 minute when no motion is detected.

One-touch lift

- Gently lift the laundry rack to activate automatic ascending when the poles are in a stationary position.

Adjust light intensity

- (Sol Classic) Press the "+ light" and "- light" to adjust brightness.
- (Sol Pro) Press and hold "light" for 2 seconds until the red indicator light on the remote flashes. Use "up" and "down" to adjust light intensity.

Laundry poles position memory

- Lower poles from the original position at the top:
 - (Sol Classic) At the desired position, press "stop" and "+ light", you will hear two beeps when the setup is successful.
 - (Sol Pro) At the desired position, press "stop" and "down", you will hear two beeps when the setup is successful.
- Repeat the above steps to set another position.

UV steriliser

- UV sterilising will turn off when it detects motion and turn back on again after 10 seconds of no motion detected. It will also turn off after 30 mins of operation.
- Press "UV" again to manually turn the function on or off.